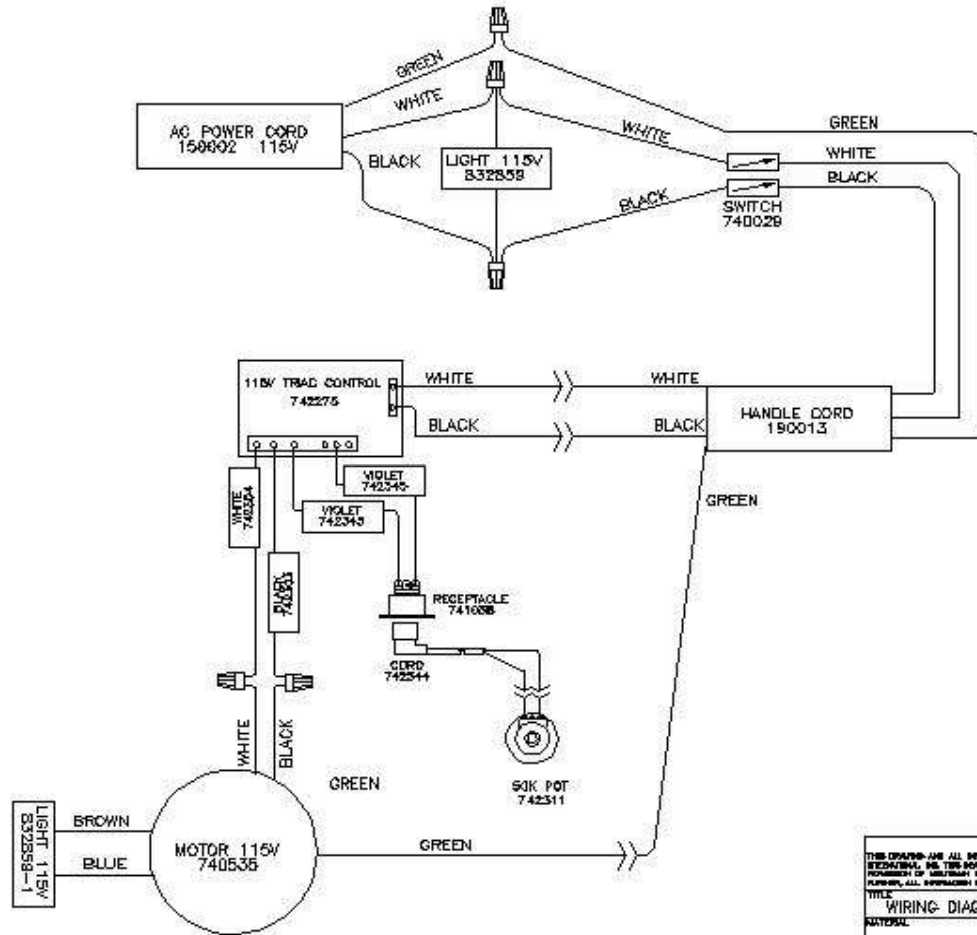


WIRING DIAGRAM VARIABLE SPEED MODEL M20120-02A



CONFIDENTIAL	
THIS DRAWING AND ALL INFORMATION CONTAINED THEREON ARE THE SOLE PROPERTY OF UNITED TECHNOLOGICAL INC. THE DESIGN IS NOT TO BE REPRODUCED OR TRANSMITTED IN ANY FORM OR BY ANY MEANS, ELECTRONIC OR MECHANICAL, INCLUDING PHOTOCOPYING, RECORDING, OR BY ANY INFORMATION STORAGE AND RETRIEVAL SYSTEM, WITHOUT THE WRITTEN PERMISSION OF UNITED TECHNOLOGICAL INC. IN ADDITION, THIS DRAWING MUST BE KEPT UNDER LOCK AND KEY. ALL INFORMATION CONTAINED HEREIN IS UNCLASSIFIED UNLESS INDICATED OTHERWISE.	
TITLE	WIRING DIAGRAM VARISPEED FLOOR MACH
NATURAL	FORM
RELEASED (UNLESS OTHERWISE SPECIFIED)	UNITED STATES GOVERNMENT
DATE	8/17/98
DRAWN BY	KAZ
CHECKED BY	RS
DATE	6/17/98
REV	17 & RELEASED BY
DATE	6/17/98
BY	P.N. 745030

C	1/9/98	ADD 7470000000000000	NO
D	7/11/98	DRIVE SPEED CONTROL	NO
A	7/16/98	ADD 742280740000	NO
REV	E.E.D.	DRIVE	BY